



## ULTIMA+™

ULTIMA+ with PeakForm SILHOUETTE Grid

### BENEFITS

- Provides perfect total acoustical balance, ideal for working and learning environments.
- TOTAL ACOUSTICS™ Performance (NRC+CAC)
  - Excellent sound attenuation, improving room to room privacy.
  - High sound absorption for reduced reverberation and quieter spaces.
- Sustainable Contribution
  - Global GreenTag<sup>CERT</sup>™ GreenRate™ Level A Certified for Green Star™
  - Cradle to Cradle Certified™ Bronze for WELL Building Standard™
- DuraBrite™, reinforced, scratch resistant face with 'Vacuum Paint – Hard Edge' treatment for easier handling and longer life.
- Smoother whiter surface with high light reflective finish for a brighter space.
- ISO 5 Clean Room Performance.
- Third party tested and certified by industry leading Eco-classification; deemed to be innovative, Eco-preferable nature and likely to contribute points to various green building assessment.

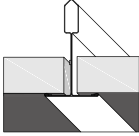
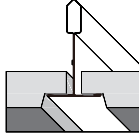
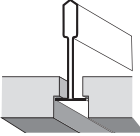
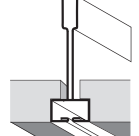
### APPLICATION AREAS

- Meeting rooms
- Conference rooms
- Corridors
- Class rooms
- Healthcare
- Department Stores
- Shops



## ULTIMA+™



| Armstrong Grid Options | SQUARE LAY-IN <sup>①</sup>  | ANGLED TEGULAR <sup>②</sup>   | MICROLOOK 90 <sup>③</sup>  |  |
|------------------------|---|---|--|--|
|                        | 24mm<br><br>Prelude Grid | 24mm<br><br>Prelude Grid | 15mm<br><br>Suprafine Grid | 15mm<br><br>Silhouette Grid |
| 600 × 600 × 19mm       | 1001  | 1003  | 1005   |  |
| 600 × 1200 × 19mm      | 1002  | 1004  | 1006   |  |

**Remarks:** ① & ② 24mm Exposed Tee Grid; ③ 15mm Exposed Tee Grid  
\* Special items and other sizes available upon request



NRC 0.70



CAC 41



RH 99% at 0°C-49°C



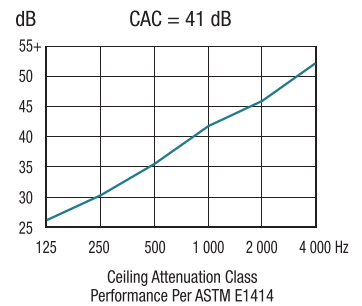
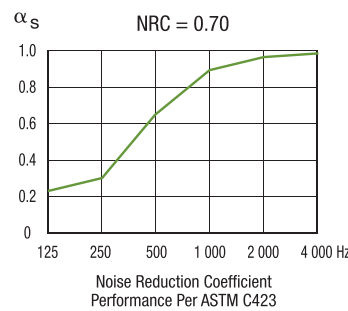
BS476 Part 6 & Part 7 Class 0  
US: Class A – Flame Spread 25 or under



Thermal Insulation (R-Value)  
0.37 m<sup>2</sup>/K/W



5.21 kg/m<sup>2</sup>



### Material

Wet-formed mineral fiber with DuraBrite acoustically transparent membrane

### Surface Finish

DuraBrite with factory-applied acrylic latex paint with "BioBlock™" mold/mildew inhibitor". 'Vacuum Paint – Hard Edge' treatment for Tegular edge panels

### Warranty

Armstrong commercial suspension systems and commercial ceiling products have a 30 year limited system warranty when installed together



Armstrong provides the widest selection of environmental preferred products that have been third party tested and certified by industry leading Eco-classification.



For further details, please contact your Local Armstrong Ceilings representative or email [asia.support@knaufarmstrong.com](mailto:asia.support@knaufarmstrong.com)

[www.knaufarmstrong.com](http://www.knaufarmstrong.com)